

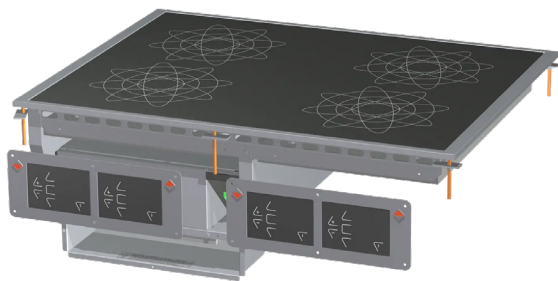
Technical data sheet

Product features



Electric drop-in induction cooker 4x drop-in hot plate 400 V

Model	SAP Code	00007451
PCID-68ETD	A group of articles - web	Stoves



- Device type: Electric unit
- Power consumption of the zone 1 [kW]: 5
- Power consumption of the zone 2 [kW]: 5
- Power consumption of the zone 3 [kW]: 5
- Power consumption of the zone 4 [kW]: 5
- Protection of controls: IPX5
- Material: AISI 304 top plate and cladding

SAP Code	00007451	Number of zones	4
Net Width [mm]	800	Power consumption of the zone 1 [kW]	5
Net Depth [mm]	600	Power consumption of the zone 2 [kW]	5
Net Height [mm]	310	Power consumption of the zone 3 [kW]	5
Net Weight [kg]	40.00	Power consumption of the zone 4 [kW]	5
Power electric [kW]	20.000	Ceramic glass dimensions [mm]	750 x 570
Loading	400 V / 3N - 50 Hz		

Technical data sheet

Technical drawing



Electric drop-in induction cooker 4x drop-in hot plate 400 V

Model	SAP Code	00007451
PCID-68ETD	A group of articles - web	Stoves

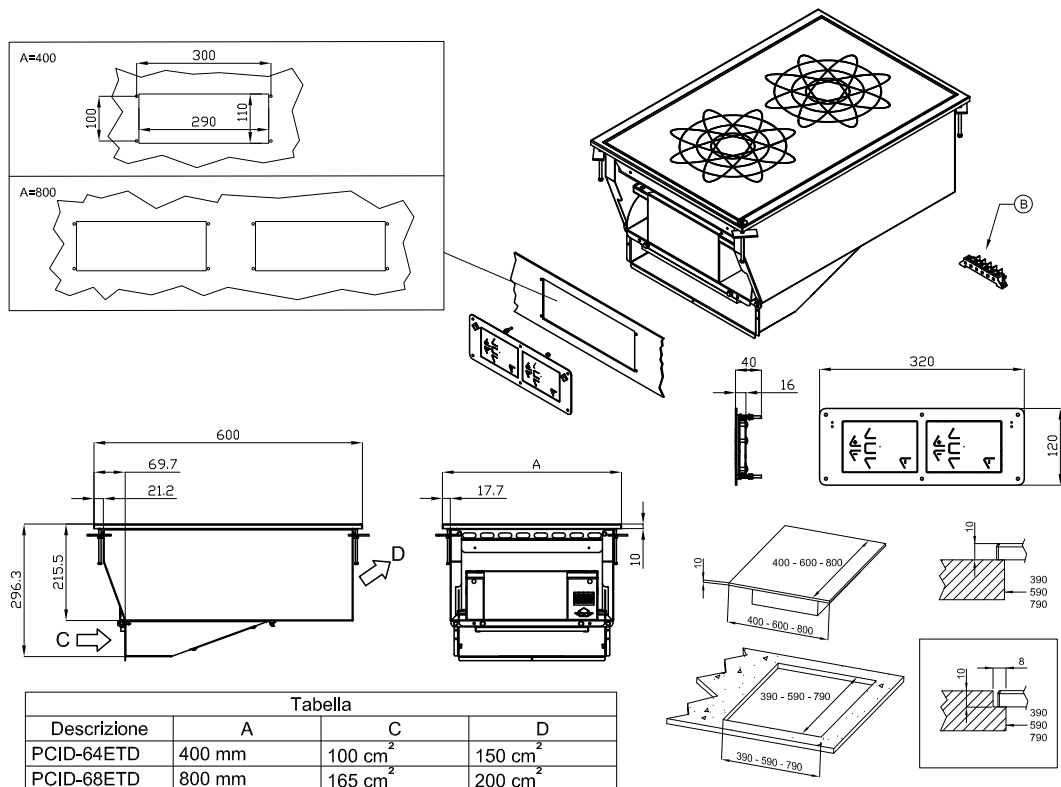


Tabella			
Descrizione	A	C	D
PCID-64ETD	400 mm	100 cm ²	150 cm ²
PCID-68ETD	800 mm	165 cm ²	200 cm ²

A	Data plate		B	Electrical connection	
---	------------	--	---	-----------------------	--

Technical data sheet

Product benefits



Electric drop-in induction cooker 4x drop-in hot plate 400 V

Model	SAP Code	00007451
PCID-68ETD	A group of articles - web	Stoves

1

Induction surface with digital control

fastest heating of the cooking zone
precise heating only at the place where the container is placed

- time-saving for food preparation
- no reheating and long cooking times

2

Degree of protection of the control elements IPX5

maintenance-free system
resistance to splash water
long life

- savings on service interventions
- easy cleaning and maintenance of equipment

3

All-stainless design

the material does not cut
wear resistance of the material
long life

- savings on service interventions
- easy cleaning and maintenance of equipment

4

Hygienic moldings of the top plate

absence of sharp corners and edges (potential places where dirt could stick)
smooth transitions

- easy quick cleaning

5

Variability

the possibility of attaching to a fixed plate as part of a monoblock
the possibility of creating one module
long life

- cost saving
- space saving
- long service life

Technical data sheet

Technical parameters



Electric drop-in induction cooker 4x drop-in hot plate 400 V

Model	SAP Code	00007451
PCID-68ETD	A group of articles - web	Stoves

1. SAP Code:

00007451

2. Net Width [mm]:

800

3. Net Depth [mm]:

600

4. Net Height [mm]:

310

5. Net Weight [kg]:

40.00

6. Gross Width [mm]:

1080

7. Gross depth [mm]:

630

8. Gross Height [mm]:

470

9. Gross Weight [kg]:

45.00

10. Device type:

Electric unit

11. Construction type of device:

Drop-in

12. Power electric [kW]:

20.000

13. Loading:

400 V / 3N - 50 Hz

14. Protection of controls:

IPX5

15. Material:

AISI 304 top plate and cladding

16. Worktop type:

Molded - comfortable cleaning maintenance

17. Worktop Thickness [mm]:

2.00

18. Number of zones:

4

19. Power consumption of the zone 1 [kW]:

5

20. Power consumption of the zone 2 [kW]:

5

21. Power consumption of the zone 3 [kW]:

5

22. Power consumption of the zone 4 [kW]:

5

23. Power control type:

digital

24. Number of power control stages:

6

25. Service accessibility:

From the front by removing the front panel and waste fluid containers

26. Number of burners/hot plates:

4

27. Type of electric cooking zones:

Induction

28. Ceramic glass dimensions [mm]:

750 x 570

Technical data sheet

Technical parameters



Electric drop-in induction cooker 4x drop-in hot plate 400 V

Model	SAP Code	00007451
PCID-68ETD	A group of articles - web	Stoves

29. Cross-section of conductors CU [mm²]:

10

31. Load capacity [kg]:

60

30. Glass-ceramic top thickness [mm]:

6